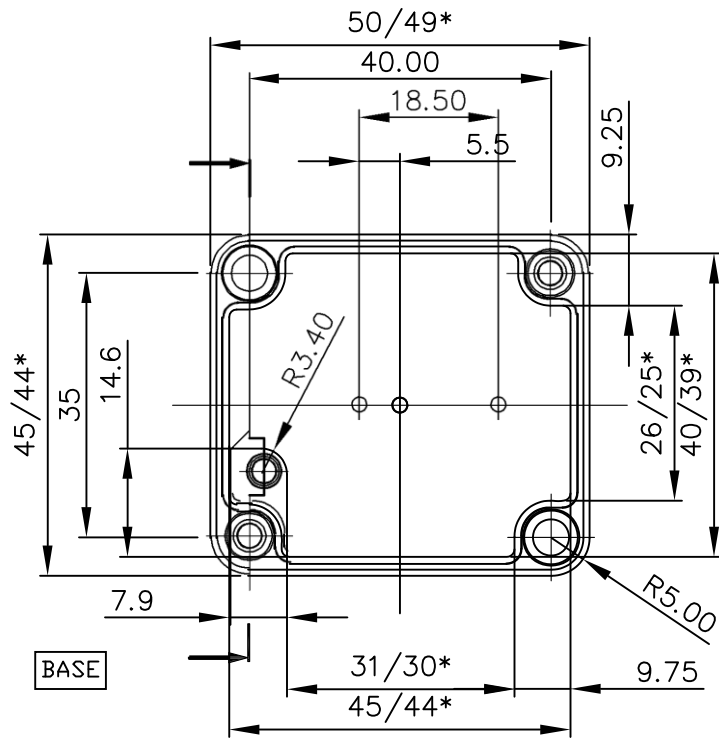
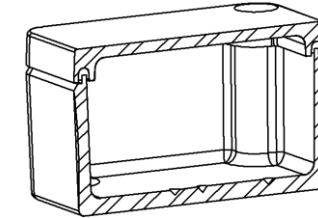
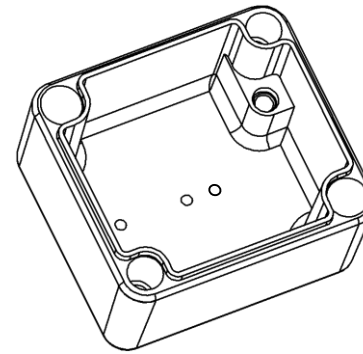
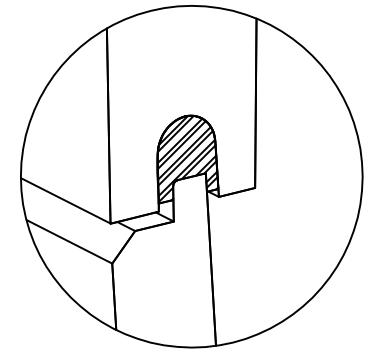
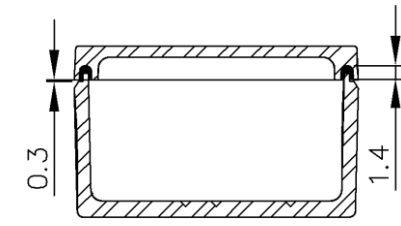
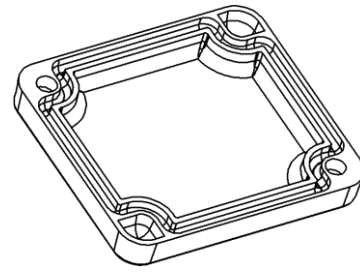
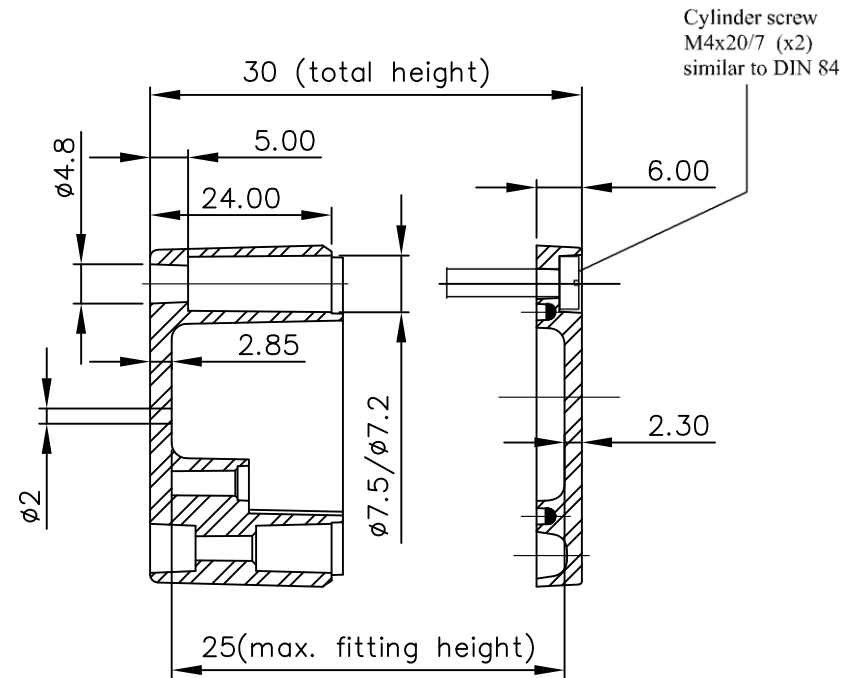


LID



BASE



* = Conical form tapering downwards
Free dimensions • tolerance to GTA 13/5 DIN 1688

ENCLOSURE/BOX MEETS THE REQUIREMENTS OF
IS/IEC 60529:2001
OR
EN 60529
FOR IP 68 SEVERITY

TOLERANCE				COMPONENT				DRAWN BY		DATE	
				ENCLOSURE/BOX						17-07-2009	
SCALE				ROUGHNESS				CHECKED BY		DATE	
1:1								-		0-0-00	
								DRG.NO.			
				MATERIAL				SH.NO.		NO.OF SHEETS	
				ALUMINIUM				00		00	